

Technical description/Datasheet

WeST2401

Indicator module for combined turn and brake signals

Product type: control unit

Model name: WeST2401

Manufacturer: Weiß Elektronik und Software GmbH
 Lauchdorfer Str. 6-8
 87782 Unteregg/Warmisried
 Germany



Description: Easy-to-connect module for turn and brake signals in vehicles. With operating mode for combined turn and brake lamp. Can be used in historic tractors and US vehicles to use the original red brake lights as turn signals.

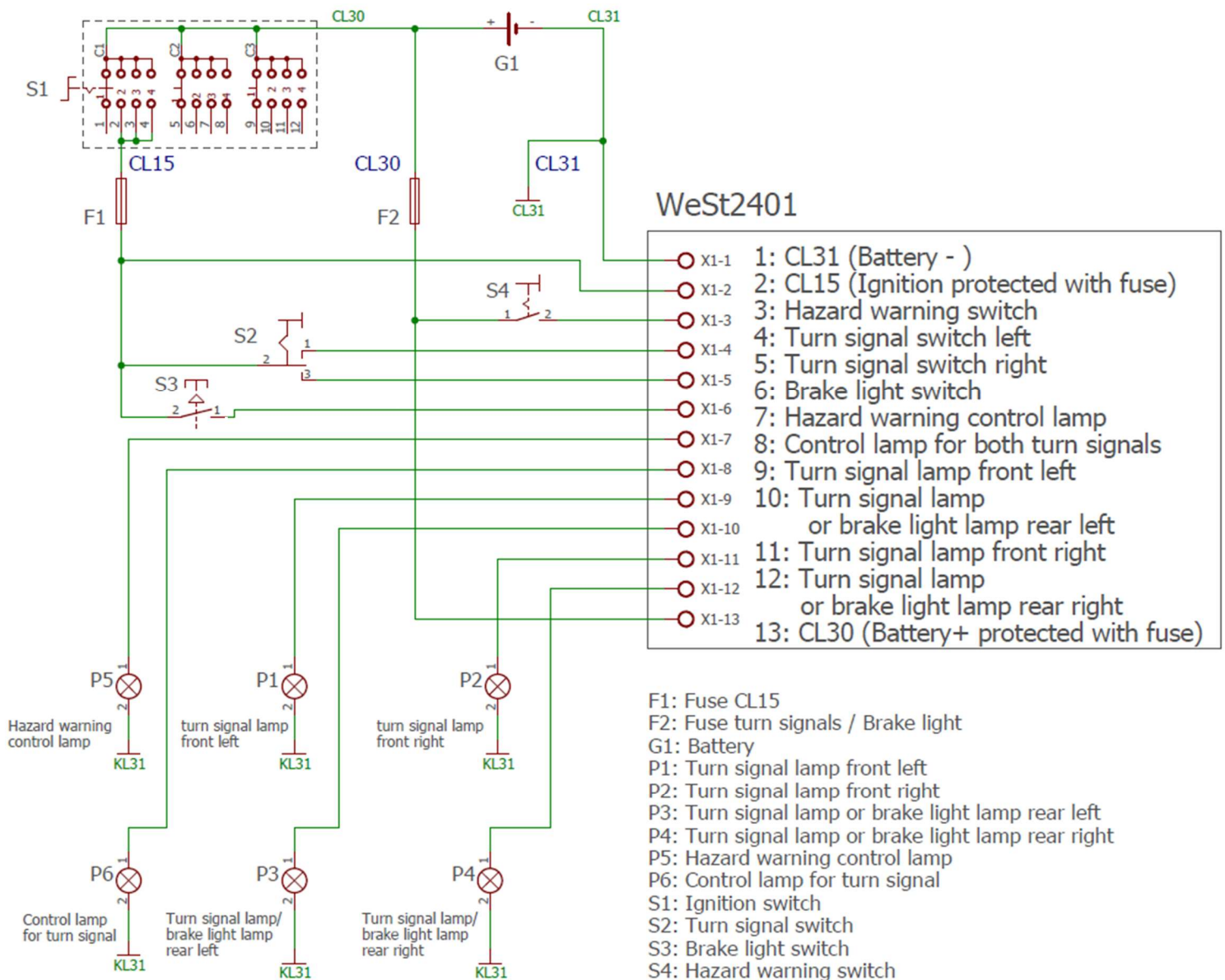
A defect in one or more lamps is detected and signaled by a change in the flashing frequency. It works with both bulbs and modern LED lights and replaces the flasher relay and the original multi-stage hazard warning switch. The module has a built-in self-resetting fuse, can be used with simple switches and is connected via 6.3x0.8mm faston tab terminals. It can be operated on 12V and 24V electrical systems.

Technical data:

Supply voltage:	5,5V ... 32V DC
KL30 quiescent current consumption (KL15=OFF, 20°C):	<0.1 mA
Min lamp load (per output):	2,5 W (due to lamp failure detection)
Max lamp load (per output):	50 W
Min current lamp failure detection:	0,21 A
Max current short circuit detection:	4,5 A
Temperature range:	-30°C ... +80°C
Dimensions:	about 140 mm x 80 mm x 23mm
Weight:	about 110 g
Standards:	CE

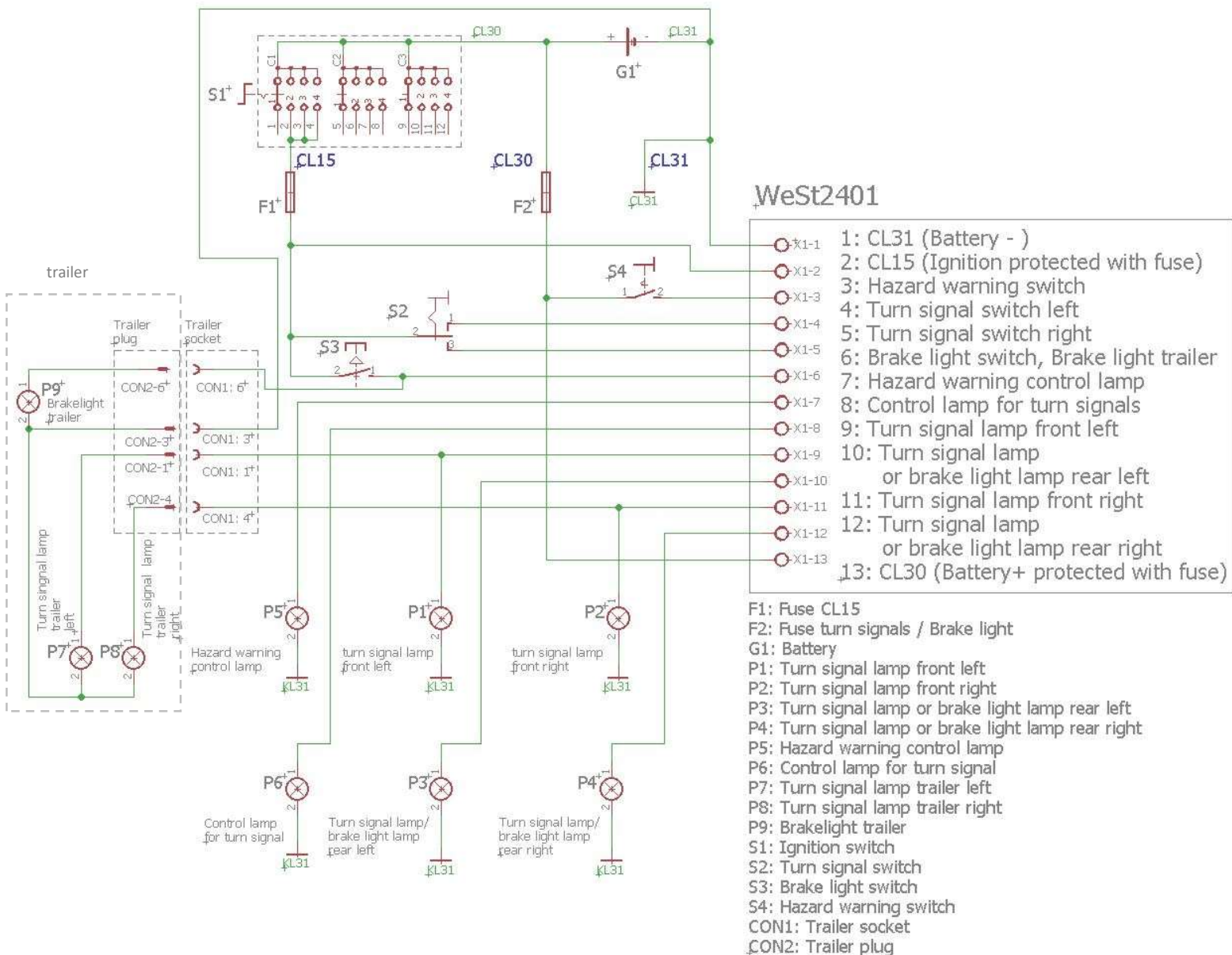
Pin assignment for vehicle without trailer socket:

Pin	Description
1	CL31 (Battery -)
2	CL15 (Ignition)
3	Hazard warning switch (voltage is applied when actuated)
4	Turn signal switch left (voltage is applied when actuated)
5	Turn signal switch right (voltage is applied when actuated)
6	Brake light switch (voltage is applied when actuated)
7	Hazard warning control lamp (optional)
8	Control lamp for both turn signals (optional)
9	Turn signal lamp front left
10	Turn signal lamp or brake light lamp rear left
11	Turn signal lamp front right
12	Turn signal lamp or brake light lamp rear right
13	CL30 (Battery +)



Pin assignment for vehicle with trailer socket:

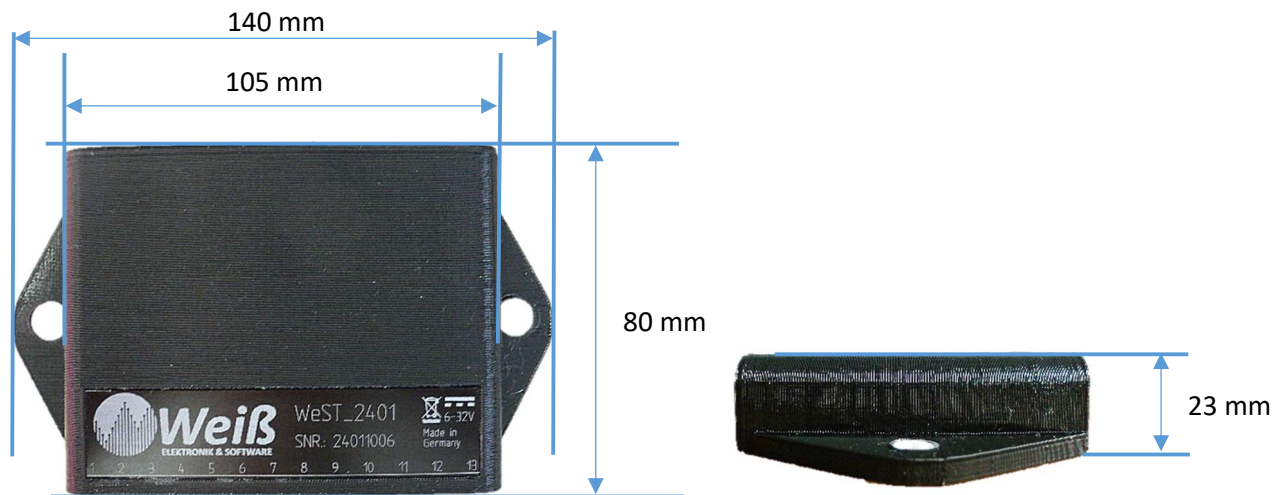
Pin	Description
1	CL31 (Battery -)
2	CL15 (Ignition)
3	Hazard warning switch (voltage is applied when actuated)
4	Turn signal switch left (voltage is applied when actuated)
5	Turn signal switch right (voltage is applied when actuated)
6	Brake light switch (voltage is applied when actuated) and trailer brake light
7	Hazard warning control lamp (optional)
8	Control lamp for both turn signals (optional)
9	Turn signal lamp front left and Turn signal lamp trailer left
10	Turn signal lamp or brake light lamp rear left
11	Turn signal lamp front right and Turn signal lamp trailer right
12	Turn signal lamp or brake light lamp rear right



Mounting in the vehicle:

The two holes, reinforced by a metal sleeve, are provided for mounting in the vehicle. The device must be installed inside the vehicle (IP60). M6 screws with a suitable washer are recommended.

Dimensions:



Ordering options:

According to the German StVZO, the driver must also be able to recognize inside the vehicle whether their turn signals are working or not. This can be done using control lamps on the dashboard (not included) and an acoustic signal. WeST_2401 is available in two order options, with or without acoustic feedback (beeping). Control lamps can be used with both versions.

Version	Bestellnummer
WeST_2401 with acoustic feedback	2401_1
WeST_2401 without acoustic feedback	2401_2

Contact:



Weiß Elektronik und Software GmbH
 Lauchdorfer Str. 6-8
 87782 Unteregg/Warmisried
 Tel. +49 (0) 8269 1474 Fax. +49 (0) 8269 960774
 EMail: info@weiss-elektronik.de
 HRB 5783 Amtsgericht Memmingen
 Geschäftsführer: Dipl.-Ing. (FH) Gerhard Weiß